

MAX[®] 5

A CNC CONTROL SYSTEM
EQUAL TO EVERY OCCASION



The sector's fastest control

OUR CNC CONTROL SYSTEM

HURCO CNC control systems enhance profitability by providing the fastest path from the drawing board to the finished workpiece.



HURCO MAX® 5 CNC control system with electronic handwheel.

ALL-IN-ONE: MAX® 5 + WINMAX®

The high-performance MAX® 5 CNC control system from HURCO combines with the WINMAX® CNC control software to create a closed-loop control system that furnishes flexibility while offering intuitive operation on a level that remains unmatched in the industry. Even more important is how each function offers advantages that can be measured in the form of enhanced productivity, which ultimately translates into additional profits.

THE CNC CONTROL SYSTEM WITH THE MOST IMPRESSIVE PERFORMANCE IN THE INDUSTRY

- Accelerates progress from drawing board to machined part
- Quickest user learning curves

- Windows-based
- Fastest programming
- Ergonomic design

SPECIAL FEATURES OF THE MAX® 5 CONTROL SYSTEM

- Adjustable keyboard tilt angle
- Solvent-resistant keyboard constructed in ABS polycarbonate
- Extractable keyboard with trackball
- Rotary override knobs in brushed stainless steel
- Two USB ports
- Height-adjustable console for ergonomically correct user convenience
- Removable electronic handwheel including LCD display**

** Not applicable to VM model range or lathes

ONE CONTROL SYSTEM – TWO VERSIONS

MAX[®] 5



- Sketch
- Drawing
- CAD / CAM
- Solid model
- 3D DXF and DXF file

MAX[®] 5 Single



- Sketch
- Drawing
- CAD / CAM
- Solid model
- DXF file

ALL-IN-ONE – MACHINE AND CONTROL SYSTEM

Dual-display screen models

3-axis machining centers: [VMX](#) | [HSi](#)

5-axis machining centers: [Ui/UHSi](#) | [VC](#) | [VCX](#) | [VTX](#) | [SWi](#) | [SRTi/HSRTi](#)

Portal and horizontal centers: [BX](#) | [DCX](#) | [HMX](#) | [HBMX](#)



3-AXIS MACHINING CENTERS / PLUS

5-AXIS MACHINING CENTERS

PORTAL AND

AUTOMATED PROGRAMMING THANKS TO DXF* AND SOLID MODEL IMPORT*

The geometrical data can be automatically incorporated in the processing program. All you need to add are the technology data (tool, radius correction).

COMBINES THE BENEFITS OF BOTH PROGRAMMING METHODS FOR MAXIMUM UTILITY

The NC program jump option lets you incorporate NC programs in dialog programs. Programs produced with a CAM system can be supplemented by dialog items at the machine.

*Extra-cost option

Single-display screen models

3-axis machining centers: [VM/Standard](#)

Lathes: [TM](#) | [TMM](#) | [TMX](#)



HORIZONTAL CENTERS

LATHES

3-AXIS MAC / STANDARD

CONTEXT-SENSITIVE ASSISTANCE

No matter where the user is on the WINMAX® program's screen, the help key remains consistently available. Pressing the help key opens the help text for the precise point in the program to which the user has currently progressed.

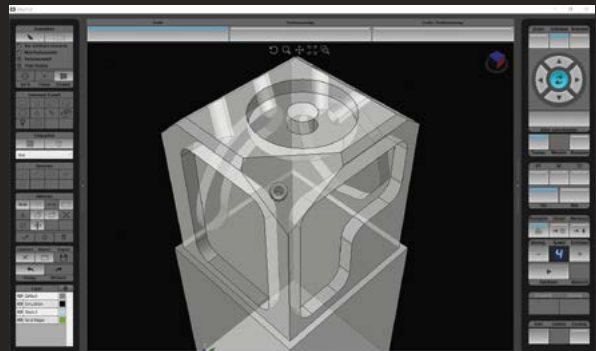
REMOTE MAINTENANCE

Once the customer gives the go-ahead, remote maintenance functionality allows the HURCO service team to access any and all on-site machines to read out their status as well as any error messages that may be present.

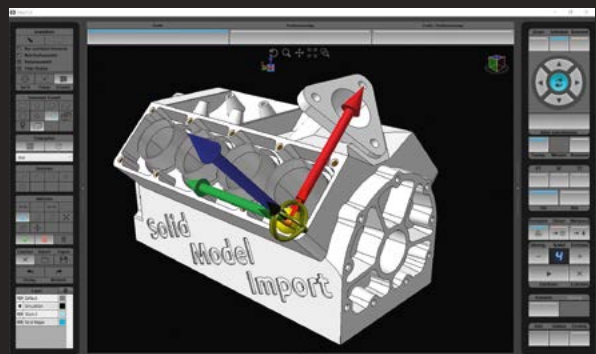
An extensive array of available machines

WINMAX[®] IN ACTION

SOLID MODEL IMPORT*
FUNCTION OF WINMAX[®]

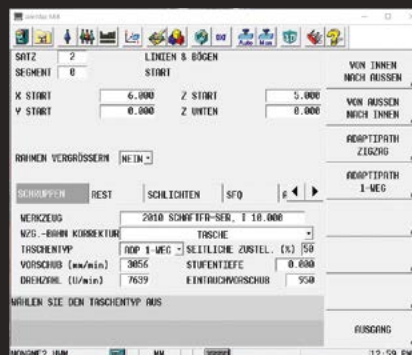


FAST: Program 3- and 5-axis machining processes directly within the control system with the aid of the solid model.



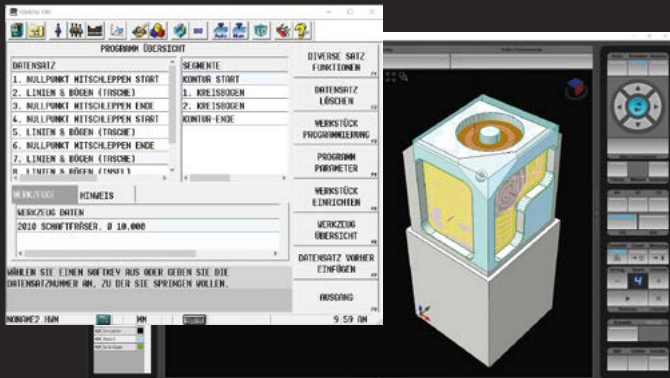
TIMESAVING: Solid models are fed directly into the control system.

ADAPTIVE MILLING STRATEGIES
RELYING ON TROCHOIDAL MILLING
MOTION

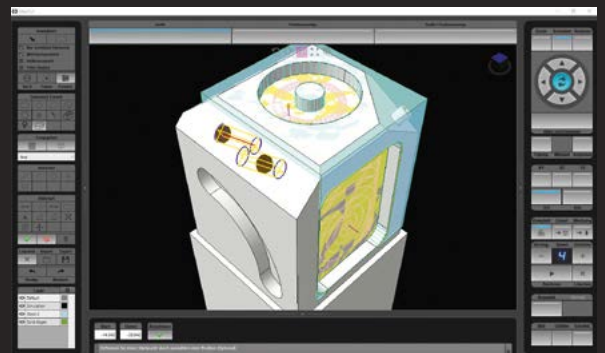


FOR ENHANCED METAL-MACHINING RATES, shorter cycling times and extended tool service lives.

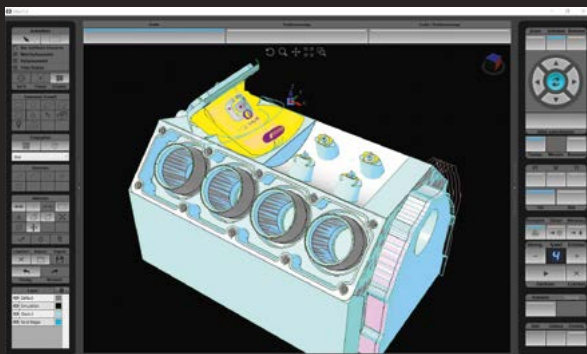
*Extra-cost option



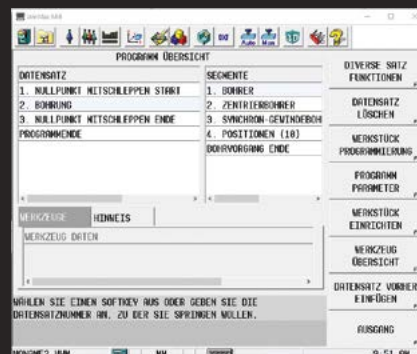
CONVENIENT CLARITY: Perform solid model programming directly on the graphic display screen with simultaneous simulation of the generated processing iteration. The program appears on the screen at the left.



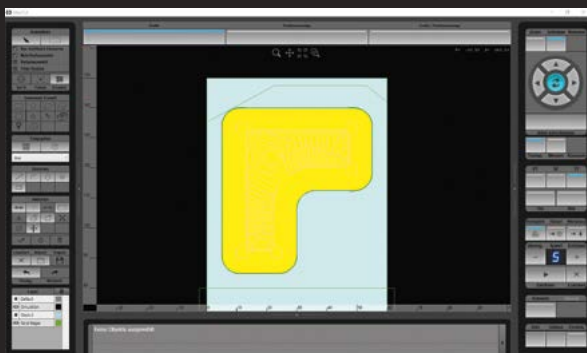
SUPPORTIVE: Detects recess and island contours as well as drilled hole patterns for automatic generation of machining data sets.



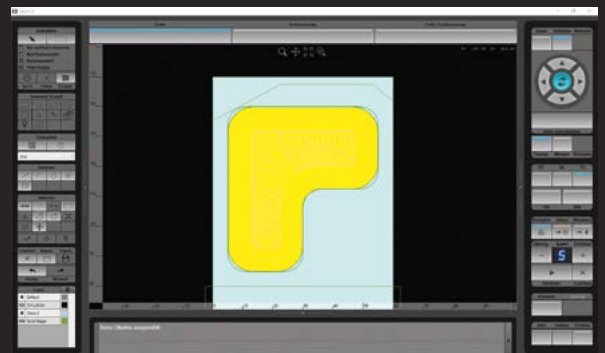
PRACTICAL: Identifies recess and drill hole depths, automatically saving them to the generated data set.



IN ADDITION: When required, generates transform plane blocks and rotates machine axis independently.



TROCHOIDAL MILLING STRATEGIES for recesses.



AUTOMATIC RESIDUAL MATERIAL RECOGNITION for result-oriented tool application.



THE COMPANY

The internationally active HURCO Companies Inc. was founded in 1968 by Gerald Roch and Edward Humston.

It is devoted to the development of interactive computer control systems and software along with computer-supported machine tools and components. The headquarters are in Indianapolis, Indiana (USA); manufacturing facilities are located in Taiwan and Italy.

Sales companies and subsidiaries are located in Germany, Italy, France, England, Poland, China, India, Singapore and South Africa.

From its site in Pliening on the outskirts of Munich, HURCO GmbH Deutschland fulfills a key function as a HURCO subsidiary.

Founded in 1988, it now employs a staff of nearly 100 while managing sales and customer support for all of Europe.

The exhibition and training centers are distributed throughout the entirety of Germany and Europe to ensure optimal support and service for our customers.

The customers are primarily manufacturers of single components and limited-production parts for the aeronautics and space industries, general machine-tool manufacture, medical technology, energy, transport and computer technology.

WHAT DOES HURCO OFFER YOU?

- Peerless performance in CNC control systems
- 3-axis machining centers
- 5-axis machining centers
- Portal and horizontal machining centers
- Multiple-axis turning centers
- Universal and heavy-duty turning centers



HURCO Werkzeugmaschinen GmbH

Gewerbestraße 5 a
85652 Pliening | Germany
Phone +49 (0)89 90 50 94 - 0
info@hurco.de | www.hurco.eu

You, too, should take advantage of the **MAX[®] 5 training courses** on offer at our sites in Pliening near Munich and in Verl.